

Support of longer workpieces with adjustable tailstock or counter bearing



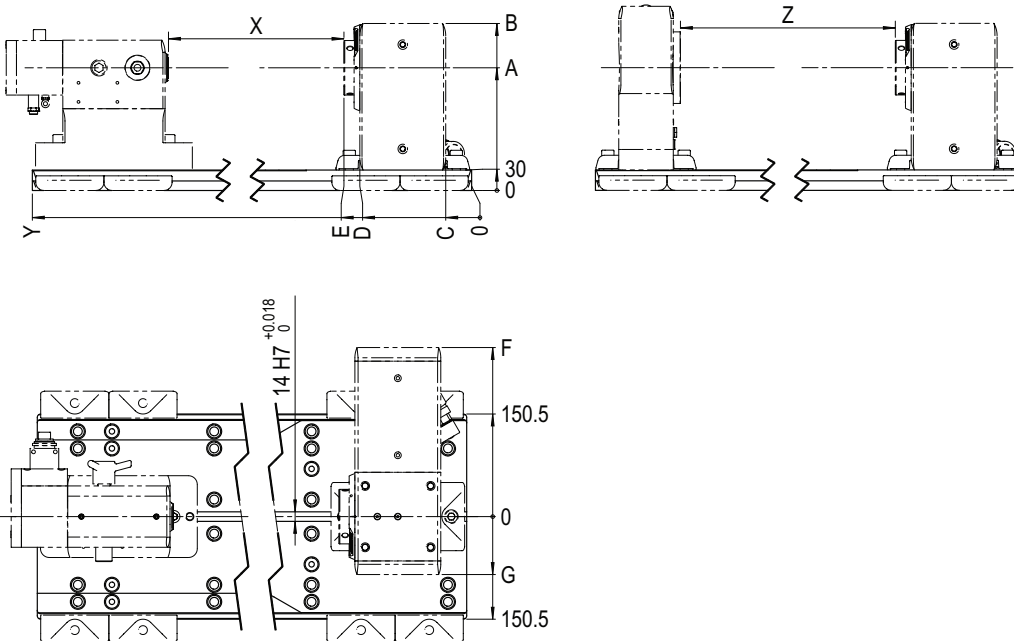
longFLEX base plate kit

Item no.	A	B	C	D	E	F	X	Y	Z	Weight*	
	[mm]										[kg]
507	LFX.5xx-400s-2	140	195	38	151	174	236	415	787	512	82
	LFX.5xx-600s-2							615	987	712	93
	LFX.5xx-800s-2							815	1187	912	102
	LFX.5xx-1000s-2							1015	1387	1112	113
510	LFX.5xx-400s-2	180	245	38	164	187	248 (270)	400	787	475	94
	LFX.5xx-600s-2							600	987	675	105
	LFX.5xx-800s-2							800	1187	875	114
	LFX.5xx-1000s-2							1000	1387	1075	125
520	LFX.5xx-400s-2	210	300	38	180	209	295 (320)	370	787	452	126
	LFX.5xx-600s-2							570	987	652	137
	LFX.5xx-800s-2							770	1187	852	146
	LFX.5xx-1000s-2							970	1387	1052	157

* Complete, including rotary table and tailstock, base plate (steel)

Fastening material

Item no.	Designation
LFX.GLA-Bef	for counter bearing
LFX.RST-Bef	for tailstock



For alignment and clamping, please refer to p. 90

Overview, Applications

System & Facts, smartBox

Rotary tables

SPZ, DDF, WMS

MOT, KAB, WDF, CNC

Aligning, GLA, RST, LOZ

Service & Technology

Tooling